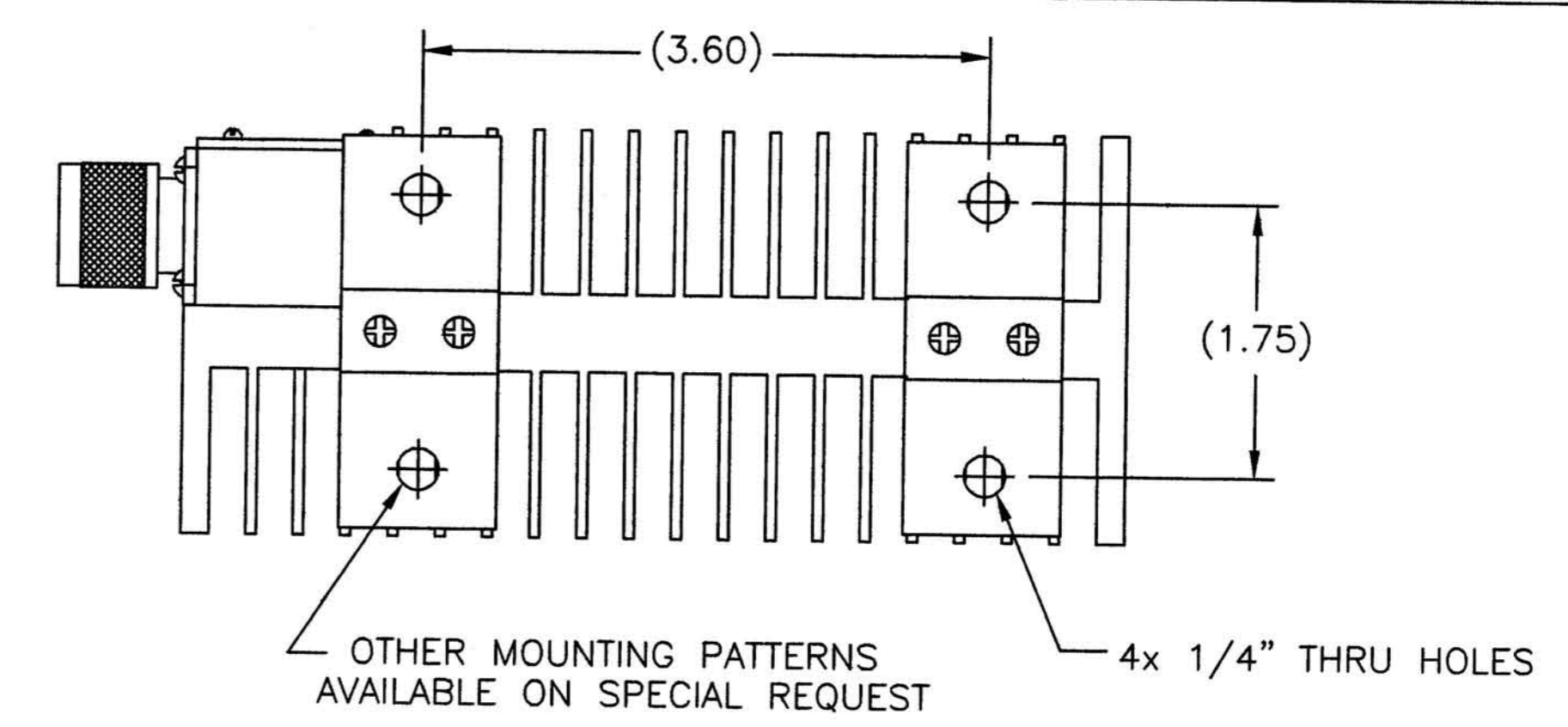
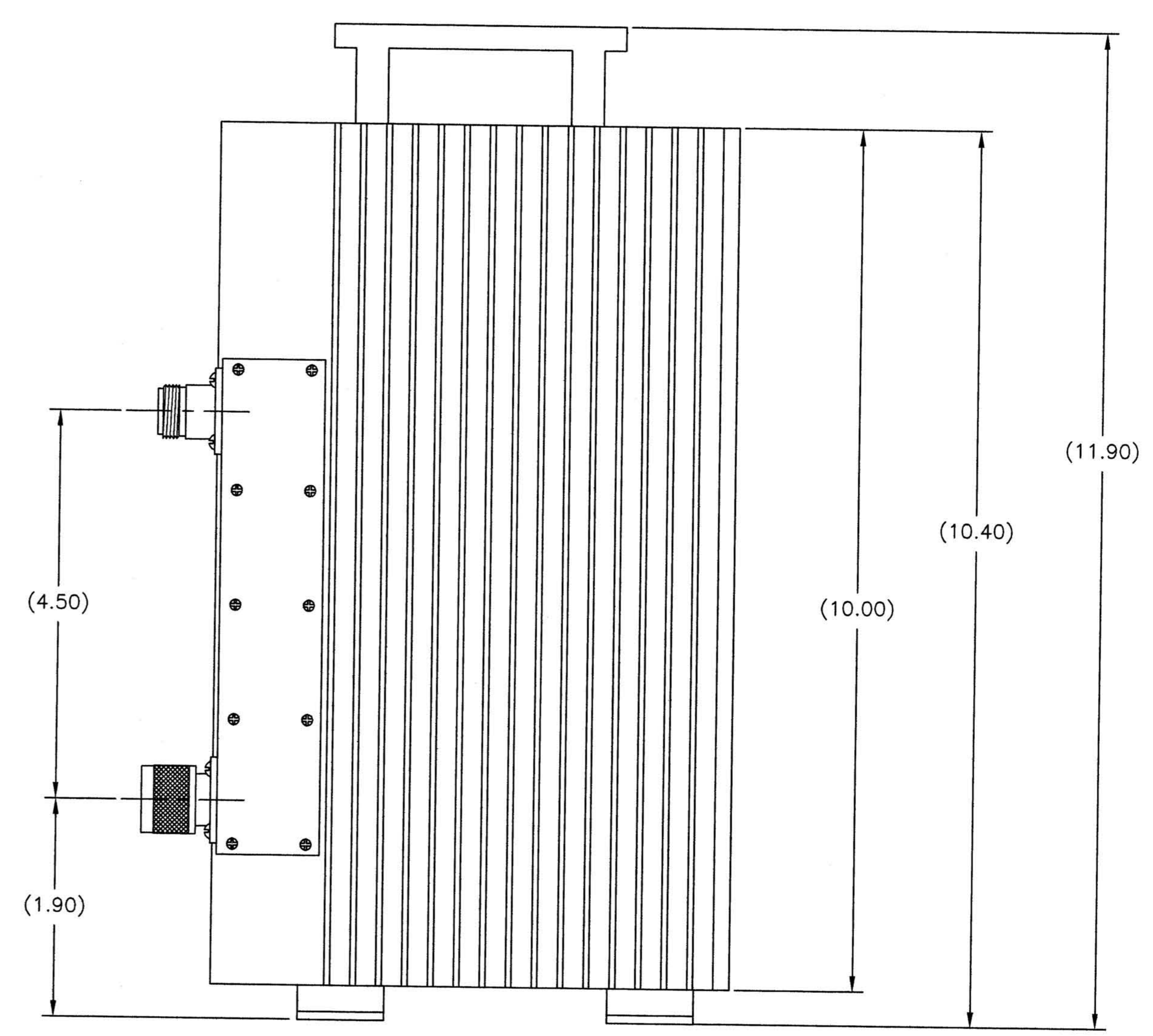
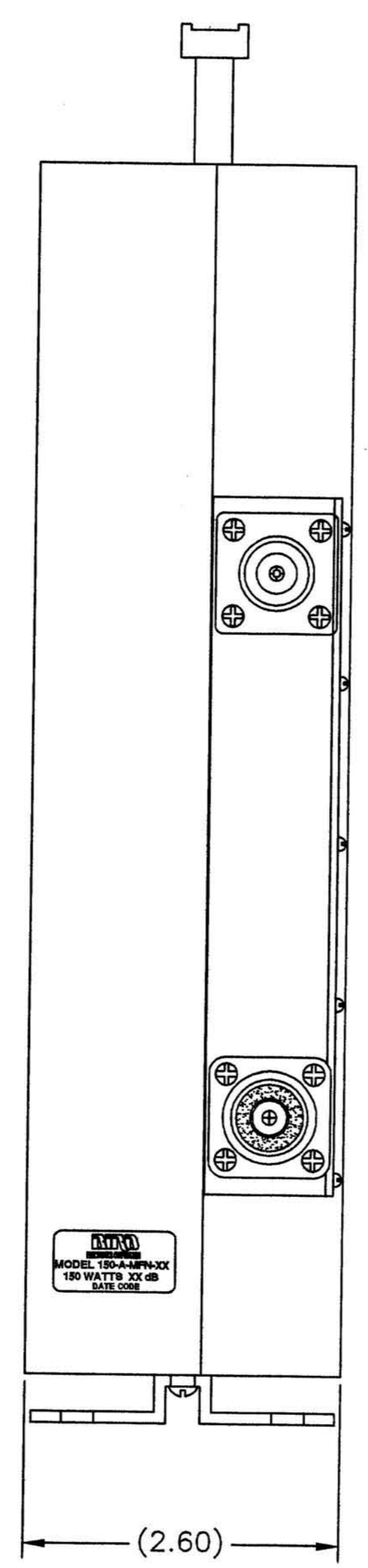
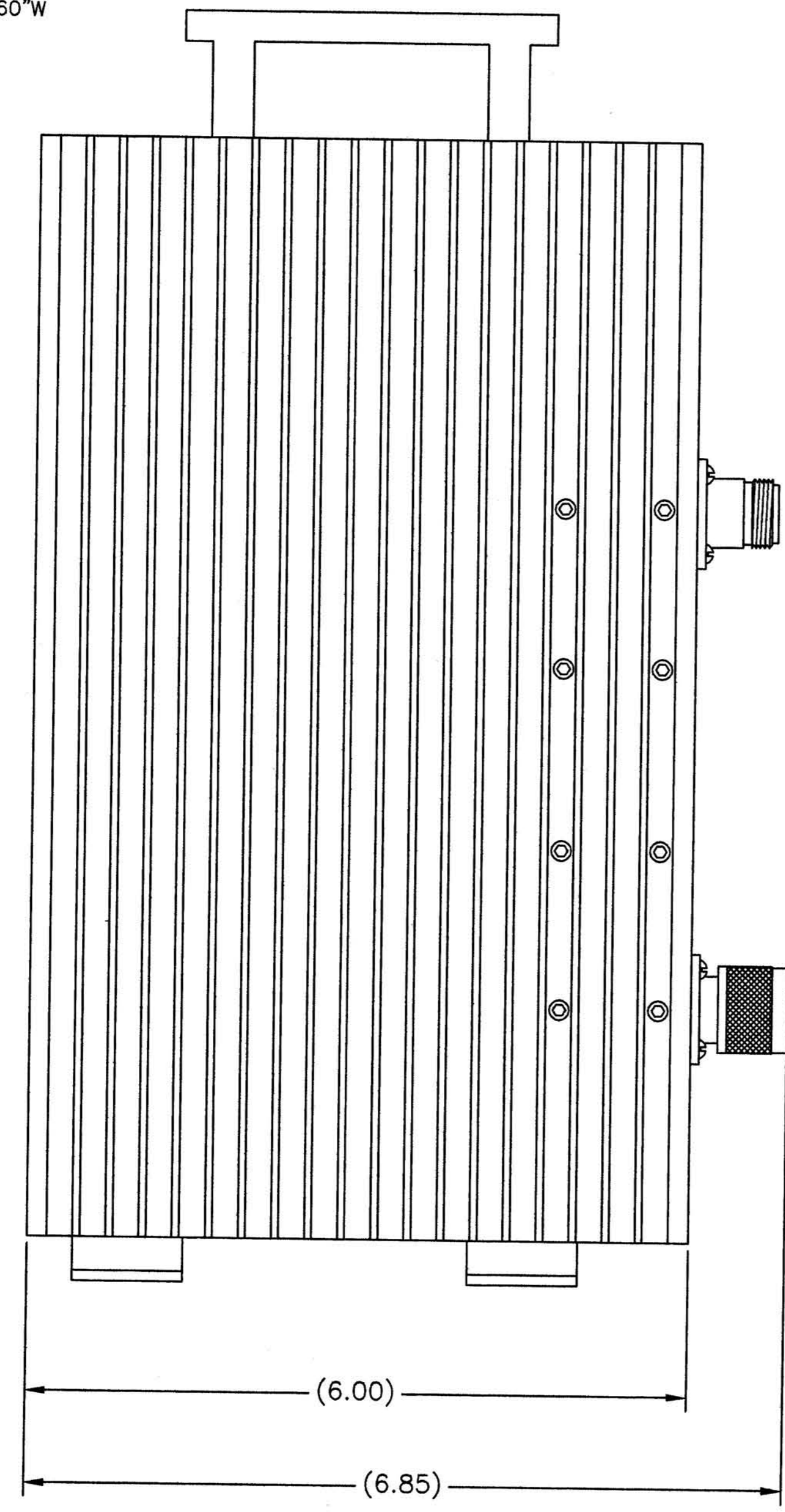


REVISIONS				
ZONE	REV	DESCRIPTION	DATE	APPROVED
A	ECN #0264		9-14-00	<i>MB</i>

SPECIFICATIONS:
 POWER RATING: 150 WATT MAX. @ 40°C., (BI-DIRECTIONAL)
 180 WATTS MAX. @ 25°C.
 FREQUENCY RANGE & VSWR:
 DC TO 1GHz AT 1.10:1 MAX.
 1GHz TO 2.4GHz AT 1.25:1 MAX.
 CONNECTORS: N-TYPE MALE/FEMALE, TRI ALLOY PLATED
 DRY LOAD: CONVECTION COOLED
 NOMINAL SIZE: APPROX. 11.90"H X 6.85"L X 2.60"W
 WEIGHT: APPROX. 6.6 LBS.



XX = DASH NUMBER (dB VALUE)

-30	30	±0.8 dB	±1.3 dB
-20	20	±0.5 dB	±1.0 dB
-10	10	±0.4 dB	±0.8 dB
-06	6	±0.4 dB	±0.6 dB
-03	3	±0.3 dB	±0.5 dB
-02	2	±0.3 dB	±0.5 dB
-01	1	±0.3 dB	±0.5 dB
DASH NO.	dB ATTEN.	DC - 1GHz ATTENUATOR	1 - 2.4GHz ACCURACY ±dB

DIMENSIONS HEREON ARE FOR CUSTOMER CONVENIENCE AND REFERENCE ONLY. TOLERANCE TO BE APPLIED ONLY WHERE INDIVIDUALLY STATED ON THE RESPECTIVE DIMENSION. -DO NOT SCALE DRAWING-

UNLESS OTHERWISE SPECIFIED DIMENSIONS ARE IN INCHES TOLERANCES ARE: FRACTIONS 1/64 DECIMALS .005 ANGLES 30° ±0.015 DO NOT SCALE DRAWING	MILLIMETERS 3±0.4 25±0.12	THIS DRAWING IS THE PROPERTY OF THE BIRD ELECTRONIC CORPORATION. THE DESIGNS AND SPECIFICATIONS DISCLOSED HEREON ARE PROPRIETARY AND SHALL NOT BE REPRODUCED, NOR COPIED, NOR USED AS THE BASIS FOR THE MANUFACTURE OR SALE OF APPARATUS OR DEVICES WITHOUT THEIR EXPRESS WRITTEN CONSENT.
APPROVALS		TITLE
DRAWN D.M.RINK	DATE 11-15-02	TERMINATION, CONVECTION COOLED, 150W
CHECKED		
APPROVED <i>MB</i>	DATE 2-27-03	
FINISH	SCALE 1:1	COM CODE LD1
	SIZE D	FSCM NO. 70998
		DWG. NO. 150-A-MFN-XX
		REV A
		SHEET 1 OF 1

DWG. NO. 150-A-MFN-XX